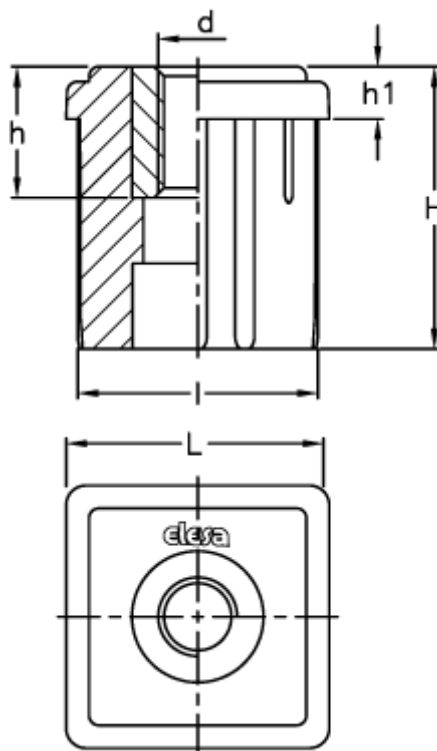


Data Sheet



Article number: 2310319364
Description: E+G Square end cap
ND.Q-50x2,5-M16

Measures



d	= M16	Tube wall thickness = 2.5
h	= 30	
H	= 55	
h1	= 10	
Internal tube size	= 45	
l	= 45.5	
L	= 50	
Outer tube size	= 50	